



### Material specifications

Designed to provide lubrication on high pressure loadings to seal rubber gaskets.

Apply lubricant as per pipe manufacturer's recommendation.

#### General guidance:

- Ensure that the pipe is clean and free of debris prior to the application of Profit lubricant.
- Apply Profit lubricant around the entire circumference of the pipe and on the inside of the gasket.
- Re-lubricate the pipe if the lubricant film becomes contaminated.
- Apply by means of a brush, sponge or swab, please use our Profit Industrial gloves for hand protection.

### Properties

- Appearance: white opaque grease
- Solids content (expected based on moisture analyzer at 130°C): typically 28-37%
- Melting point: typically 30°C
- pH at 10%: 10.5 max
- Density at 15°C: typically 1.0
- Water solubility: dispersible
- Biodegradable

### Storage

- Storage class: chemical storage.
- Keep containers tightly shut and out of direct sunlight when not in use.
- Protect from freezing.
- Depending on storage conditions, some slight liquid soap may form on the surface of the product when not in use. This is normal and will not affect product performance. This liquid can be easily re-dispersed using a clean brush.
- Keep separate from food, feedstuffs, fertilizers and other sensitive material.
- Minimum storage temperature: 5°C  
Maximum storage temperature: 40°C

Manufacturer: Profit

### Identified uses

Lubricating grease

### Classification of the substance or mixture

Classification EC1272/2008

- Physical and chemical hazards: not classified
  - Human health: not classified
  - Environment: not classified
- Classification 1999/45/EEC
- Not classified

### Other hazards

This product does not contain any PBT or vPvB substances

### Composition

Mixtures: no classified elements, or those having occupational exposure limits, present above the levels of disclosure



**First aid measures**

	Description	Most important symptoms and effects
General information	Remove affected person from source of contamination.	Toxicological information available upon request.
Inhalation	Unlikely route of exposure as the product does not contain volatile substances. When breathing is difficult, properly trained personnel may assist affected person by administering oxygen. Get medical attention if any discomfort continues.	Vapours may irritate throat and respiratory system and cause coughing. Spray mists may cause respiratory tract irritation.
Ingestion	Promptly get affected person to drink large volumes of water to dilute the swallowed chemical. Rinse nose, mouth and throat with water. Do not induce vomiting. If vomiting occurs, the head should be kept low so that stomach vomit does not enter the lungs. Never make an unconscious person vomit or drink fluids. Get medical attention.	May cause discomfort if swallowed. May irritate and cause stomach pain, vomiting and diarrhea.
Skin contact	Remove contaminated clothing immediately and wash skin with soap and water. Get medical attention if irritation persists after washing. Always remove grease with soap and water or skin cleaning agent, never use organic solvents.	The liquid may irritate the skin. Prolonged contact may cause redness, irritation and dry skin.
Eye contact	Promptly wash eyes with plenty of water while lifting the eyelids. Make sure to remove any contact lenses from the eyes before rinsing.	May cause temporary eye irritation. Spray and vapour in the eyes may cause irritation and smarting. Irritation, burning, lachrymation, blurred vision after liquid splash.
Indication of any immediate medical attention and special treatment needed	No specific first aid measures noted.	

**Firefighting measures**

	Description
Extinguishing media	The product is non-combustible. Use fire-extinguishing media appropriate for surrounding materials.
Special hazards arising from the substance or mixture	Hazardous combustion products. Thermal decomposition or combustion may liberate carbon oxides and other toxic gases or vapours.
	Unusual fire & explosion hazards. Beware, risk of formation of toxic and corrosive gases. May produce dense black smoke.
	Specific hazards. None known.
Special fire fighting procedures	Avoid breathing in fire vapours. Keep up-wind to avoid fumes. Ventilate closed spaces before entering them. Keep run-off water out of sewers and water sources. Dike for water control. If risk of water pollution occurs, notify appropriate authorities.
Protective equipment for fire fighters	Self contained breathing apparatus and full protective clothing must be worn in case of fire.

**Accidental release measures**

	Description
Personal precautions	For further information on protective equipment, contact profit at info@profitings.eu. Avoid inhalation of vapours/spray and contact with skin and eyes. In case of inadequate ventilation, use respiratory protection. In case of spills, beware of slippery floors and surfaces.
Environmental precautions	For disposal considerations, contact profit at info@profitings.eu. Do not discharge into drains, water courses or onto the ground. Avoid discharge to the aquatic environment. Do not allow any environmental contamination.
Methods and material for containment and cleanup	Wear necessary protective equipment. Stop leak if possible. To prevent release, place container with damaged side up. Absorb with inert, damp, non-combustible material, then flush area with water. Collect spillage in containers, seal securely and deliver for disposal according to local regulations. Containers with collected spillage must be properly labelled with correct contents and hazards symbol. Runoff or release to sewer, waterway or ground is forbidden. Inform authorities if large amounts are involved.

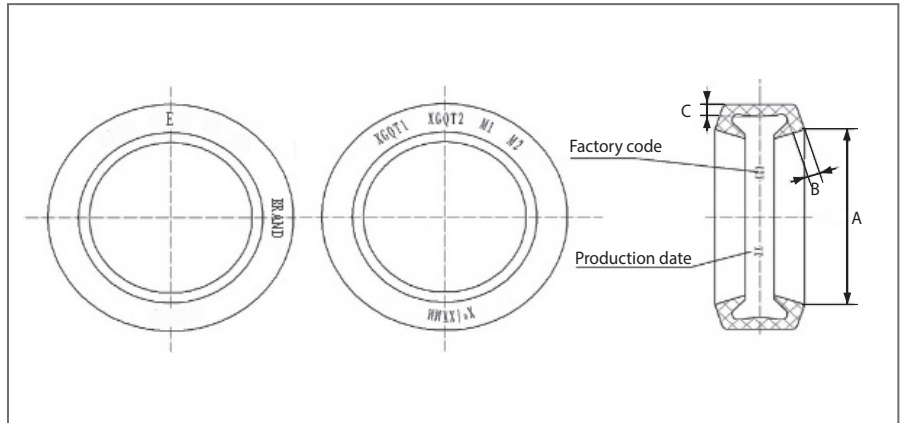
**NOTA GENERALE:**

L'attrezzatura presentata in questo bollettino deve essere installata in conformità agli ultimi standard pubblicati dalle Norme UNI EN 12845, National Fire Protection Association, Factory Mutual Research Corporation o altre organizzazioni simili e anche con le disposizioni dei codici governativi o delle ordinanze locali applicabili.  
Con la presente pagina tecnica, MEFA Italia intende fornire pertinenti informazioni tecniche, aggiornandole periodicamente.  
MEFA Italia non si ritiene responsabile in caso di errori di stampa o informazioni inesatte in quanto le stesse possono variare senza preavviso.  
The equipment presented in this bulletin is to be installed in accordance with the latest published Standards of the UNI EN 12845, National Fire Protection Association, Factory Mutual Research Corporation, or other similar organizations and also with the provisions of governmental codes or ordinances whenever applicable.  
With this technical page, MEFA Italia intends to provide relevant technical information, updating them periodically.  
MEFA Italia is not responsible for any inaccurate print or inaccurate information as these may vary without prior notice.

**NOTA COUPLOK:**

Couplok è un marchio registrato da MEFA Italia per la presentazione di tutti i prodotti della linea Giunzioni e Raccorderia scaralata.  
I fornitori dei prodotti Couplok vengono rigorosamente selezionati nel rispetto della qualità e delle caratteristiche distintive descritte in questo documento tecnico.  
I fornitori dei prodotti potrebbero variare senza preavviso, ma sempre nel rispetto delle caratteristiche qui descritte.  
Couplok is a registered trademark of MEFA Italia for the presentation of all products of the Grooved Couplings and Fittings Line.  
The suppliers of Couplok products are strictly selected in compliance with the quality and distinctive features described in this technical document.  
Product providers may vary without notice, but always respecting the features described herein.





Gaskets play a central role in the installation of couplings, mechanical tees and sprinkler tees, tightening around the pipe to provide a first degree of sealing

DN	O.D.	A	B	C
inches	mm	mm	mm	mm
1	33,7	32,5	4	4
1¼	42,4	41,3	4	4
1½	48,3	47,2	4	4
2	60,3	59,2	4	4
2½	76,1	74,7	3,8	4

Test report				
	Test	Specifications	Result	Test standard
Normal conditions	Hardness (Shore A)	65±5	62	GB/T531
	Tensile strength (MPa)	≥ 12,88	14,98	GB/T528
	Ultimate elongation (%)	≥ 250	366,40	
After age test	Heat age 125°C (70h)	≤+10	3	GB/T3512
	Change in hardness (max)	≥ -20	-2,28	
	Change in tensile strength (%) (max)			
Compression test	Compression set 125°C (70h)	≤ 30	16,64	GB/T7759
	B type sample			

**Material specifications**

**Compound:** EPDM silicon-free

**Colour:** black

**Characteristics and applicable medium:** recommended for water within the specified temperature range and for a variety of diluted media

EPDM gaskets comply with the international certifications and have undergone the aging test at 110°C/230°F during a period of 45 days/1080 hours and the frozen test at -40°C/-40°F during a period of 4 days/96 hours

**Manufacturer:** Profit

**NOTA GENERALE:**

L'attrezzatura presentata in questo bollettino deve essere installata in conformità agli ultimi standard pubblicati dalle Norme UNI EN 12845, National Fire Protection Association, Factory Mutual Research Corporation o altre organizzazioni simili e anche con le disposizioni dei codici governativi o delle ordinanze laddove applicabili. Con la presente pagina tecnica, MEFA Italia intende fornire pertinenti informazioni tecniche, aggiornandole periodicamente. MEFA Italia non si ritiene responsabile in caso di errori di stampa o informazioni inesatte in quanto le stesse possono variare senza preavviso. The equipment presented in this bulletin is to be installed in accordance with the latest published Standards of the UNI EN 12845, National Fire Protection Association, Factory Mutual Research Corporation, or other similar organizations and also with the provisions of governmental codes or ordinances whenever applicable. With this technical page, MEFA Italia intends to provide relevant technical information, updating them periodically. MEFA Italia is not responsible for any inaccurate print or inaccurate information as these may vary without prior notice.

**NOTA COUPLOK:**

Couplok è un marchio registrato da MEFA Italia per la presentazione di tutti i prodotti della linea Giunzioni e Raccorderia scanalata. I fornitori dei prodotti Couplok vengono rigorosamente selezionati nel rispetto della qualità e delle caratteristiche distintive descritte in questo documento tecnico. I fornitori dei prodotti potrebbero variare senza preavviso, ma sempre nel rispetto delle caratteristiche qui descritte. Couplok is a registered trademark of MEFA Italia for the presentation of all products of the Grooved Couplings and Fittings Line. The suppliers of Couplok products are strictly selected in compliance with the quality and distinctive features described in this technical document. Product providers may vary without notice, but always respecting the features described herein.



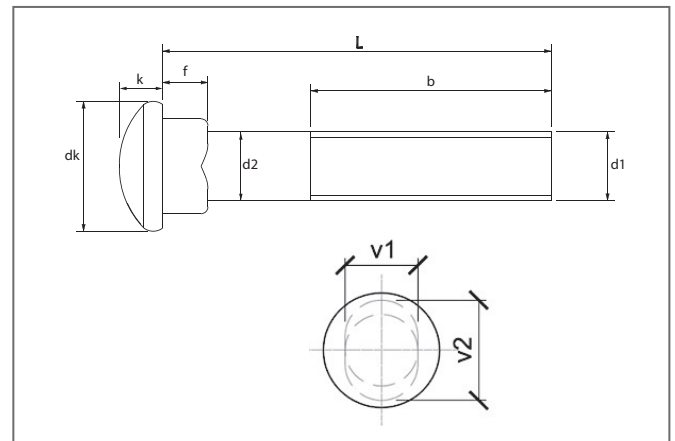
**Material specifications**

**Material:** medium carbon steel  
**Process:** zinc electroplated  
**Heat treatment:** quenched and tempered  
**Class bolts:** 8.8  
**Class nuts:** 8 (ISO 898)  
**Colour:** yellow

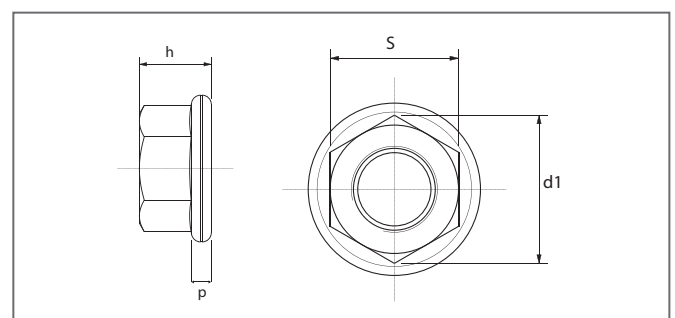
Profit uses bolts and nuts conform to ASTM A183/ISO 898

Bolts and nuts are used in the assembly of couplings, mechanical tees and sprinkler tees intended for sprinkler installations

d1	M10	M12	M16	M20
d2	9	11	15	18
dk	18	20	26	32
b	31	41	47	65
f	5	6	8	10
k	7	9	10	12
v1	9	11	15	19
v2	14	16	20	24
L	40,45,50,60	65,70,75	85,90	100,110



d1	M10	M12	M16	M20
p	2	4	5	2.5
h	10	12	15	17
s	15	18	24	30
Torque N*M	44-54	90-100	200-230	270-300



Manufacturer: Profit

**Installation procedures for using torque wrenches during installation of piping components on construction sites:**

1. Make sure that the coupling houses are located in the pipe grooves and are over the lubricated gasket.
2. Insert bolts and run nuts finger tight.
3. Securely tighten nuts alternately and equally until fully tightened, keeping the gap at the bolt pad evenly spaced.

**Note**

- Uneven tightening of bolts may damage the gasket.
- Lubricant should be applied on the gasket at time of joint assembly.
- On piping installations operating at higher working pressures or withing critical locations or environments, the use of a proprietary torque wrench is always recommended.

**NOTA GENERALE:**

L'attrezzatura presentata in questo bollettino deve essere installata in conformità agli ultimi standard pubblicati dalle Norme UNI EN 12845, National Fire Protection Association, Factory Mutual Research Corporation o altre organizzazioni simili e anche con le disposizioni dei codici governativi o delle ordinanze laddove applicabili. Con la presente pagina tecnica, MEFA Italia intende fornire pertinenti informazioni tecniche, aggiornandole periodicamente. MEFA Italia non si ritiene responsabile in caso di errori di stampa o informazioni inesatte in quanto le stesse possono variare senza preavviso. The equipment presented in this bulletin is to be installed in accordance with the latest published Standards of the UNI EN 12845, National Fire Protection Association, Factory Mutual Research Corporation, or other similar organizations and also with the provisions of governmental codes or ordinances whenever applicable. With this technical page, MEFA Italia intends to provide relevant technical information, updating them periodically. MEFA Italia is not responsible for any inaccurate print or inaccurate information as these may vary without prior notice.

**NOTA COUPLOK:**

Couplok è un marchio registrato da MEFA Italia per la presentazione di tutti i prodotti della linea Giunzioni e Raccorderia scanalata. I fornitori dei prodotti Couplok vengono rigorosamente selezionati nel rispetto della qualità e delle caratteristiche distintive descritte in questo documento tecnico. I fornitori dei prodotti potrebbero variare senza preavviso, ma sempre nel rispetto delle caratteristiche qui descritte. Couplok is a registered trademark of MEFA Italia for the presentation of all products of the Grooved Couplings and Fittings Line. The suppliers of Couplok products are strictly selected in compliance with the quality and distinctive features described in this technical document. Product providers may vary without notice, but always respecting the features described herein.